

BUY NOW 

PM Fiber Mirror Reflector

Product Description

Agiltron PM Fiber Mirror Reflector is designed to reflect light input backward through the fiber. They can be used to create a fiber interferometer or to build a low-power fiber laser. These retroreflectors are ideal for determining back reflection specifications for transmitters, amplifiers, and other devices



Features

- Low Insertion Loss
- Compact Size
- Environmental Stability
- Cost Effective

Performance Specifications

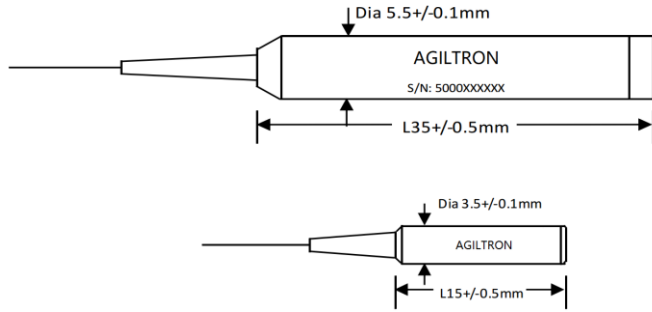
Parameters	Typical	Unit
Operating Wavelength	1260~1650	nm
Reflection Percentage	> 97	%
Insertion Loss	≤ 0.7	dB
PER @ 23°C	≥ 20	dB
Power Handling	≤ 300	mW
Fiber Type	PM1550	
Operating temperature	-5 ~ 70	°C
Storage temperature	-40 ~ 85	°C
Dimensions	Φ3.5 x 15; Φ5.5 x 35	mm

Applications

- Fiber Instruments
- Fiber Sensor
- Test and Measurement

PM Fiber Mirror Reflector

Mechanical Footprint Dimensions (mm)



*Product dimensions may change without notice. This is sometimes required for non-standard specifications.

Ordering Information

PFMR-	0	<input type="checkbox"/>	<input type="checkbox"/>	<input type="checkbox"/>	<input type="checkbox"/>	<input type="checkbox"/>	<input type="checkbox"/>	<input type="checkbox"/>
		Wavelength	Reflection	Package	Fiber Type	Fiber Length	Connector	
		1550nm=15 Special=00	97% = 1 95% = 2 90% = 3 Other = 0	5.5 x 35 =1 3.5 x 15 =2	PM1550 =1	250um =1 900um =2 Special=0	0.25M=1 0.5 M=2 1.0 M=3 1.5 M =4 Special=0	None=1 FC/PC=2 FC/APC=3 SC/PC=4 SC/APC=5 ST/PC=6 LC=7 Special=0